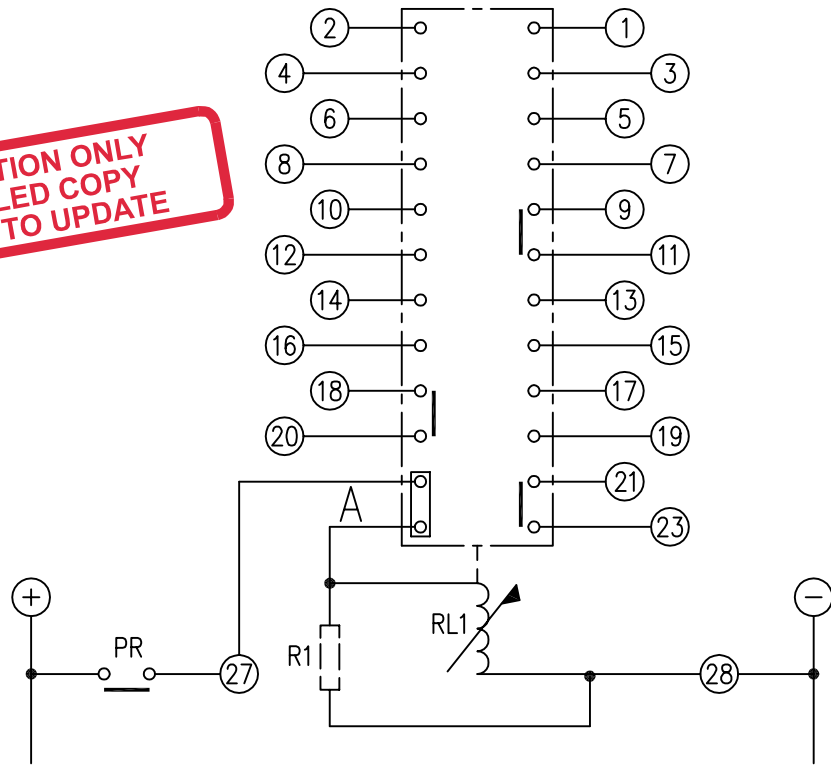


LOOKING ON FRONT OF RELAY

2112W50012

FOR INFORMATION ONLY
UNCONTROLLED COPY
NOT SUBJECT TO UPDATE



KEY	220&240	1x470R 2102C45471
○ ○	125	2x100R in series 2102C41101
⊠	50	1x390R 2102C35391
⊠ ⊠	30	NIL
⊠ ⊠ ⊠	24	NIL
⊠ ⊠ ⊠ ⊠	VDC	R1

CONTACT CONFIG.	OUTPUT CONTACT PAIR / TERMINAL No.											
	1-3	2-4	5-7	6-8	9-11	10-12	13-15	14-16	17-19	18-20	21-23	
11M	M	M	M	M	M	M	M	M	M	M	M	
10M 1B	M	B	M	M	M	M	M	M	M	M	M	
9M 2B	B	B	M	M	M	M	M	M	M	M	M	
8M 3B	B	B	M	B	M	M	M	M	M	M	M	
7M 4B	B	B	B	B	M	M	M	M	M	M	M	
6M 5B	B	B	B	B	M	B	M	M	M	M	M	
5M 6B	B	B	M	B	M	M	B	B	B	M	M	
4M 7B	B	B	B	B	M	M	B	B	B	M	M	
3M 8B	B	B	B	B	M	B	B	B	B	M	M	

NOTE:
1. CONTACT CONFIGURATION ABOVE IS REQUIRED FOR RELAY OPERATION. FOR DETAILS OF VARIABLE CONTACT OPTIONS SEE TABLE OPPOSITE.
2. RESISTOR R1 IS FITTED ONLY WHEN REQUIRED.

FRAME REFERENCE: E2FAQM.
FRAME TERMINAL BLOCK ASSY: -

ASSEMBLY INSTRUCTIONS: -
TYPICAL ASSEMBLY DRAWING 2995G10032.
AT INDICATED POSITIONS FIT AS FOLLOWS:
T - FIT TRIP ISOLATION CONTACT 2995B10053
S - FIT STANDARD CONTACT 2995B10054
SECURE CONTACTS USING FIXING SCREW 2109F99009.
POSITIONS SHOWN BLANK ARE UNUSED

2	T	T	1
4	T	T	3
6	T	T	5
8	T	T	7
10	T	T	9
12	T	T	11
14	T	T	13
16	T	T	15
18	T	T	17
20	T	T	19
22		T	21
24		T	23
26			25
28	S	S	27

VIEW FROM NUMBERED SIDE OF BLOCK

OUTER TERMINAL BLOCK ASSY: -

ASSEMBLY INSTRUCTIONS: -
TYPICAL ASSEMBLY DRAWING 2995G10029.
AT INDICATED POSITIONS FIT AS FOLLOWS:
S - FIT STANDARD CONTACT 2995B10051
HC - FIT 'HEAVY CURRENT' KIT 2995G10030
WHERE ⊠ ⊠ IS SHOWN FIT CT SHORTING KIT 2995G10031
POSITIONS SHOWN BLANK ARE UNUSED.
ALL POSITIONS FIT SCREW 2106F12506.

2	S	S	1
4	S	S	3
6	S	S	5
8	S	S	7
10	S	S	9
12	S	S	11
14	S	S	13
16	S	S	15
18	S	S	17
20	S	S	19
22		S	21
24		S	23
26			25
28	S	S	27

VIEW FROM INSIDE FACE

3 RDW 10/01/06 MN112/2763			Title: T.B. AND WIRING DIAG. FOR TR221-11 RELAYS IN EPSILON E2 CASE.		First used on:	
2 RDW 11/11/05 MN112/2744			<p style="font-size: 2em; font-weight: bold;">Reyrolle Protection Hebburn.</p>		Similar Articles:	
1 07/04/99					Supersedes:	
ISSUE	DATE	MOD.No.	Original Scale:		Drg.No. 2112W50012	
DRAWN: A.LAW.		CHECKED:	APPROVED: R.D.WATSON	DATE: 16/07/02	Copyright © 1998 Reyrolle Ltd	